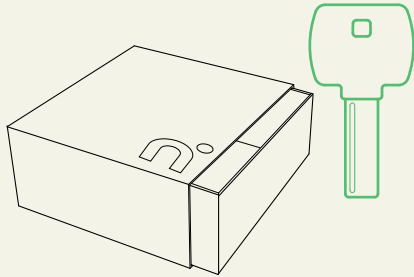


# Installation Guide Code

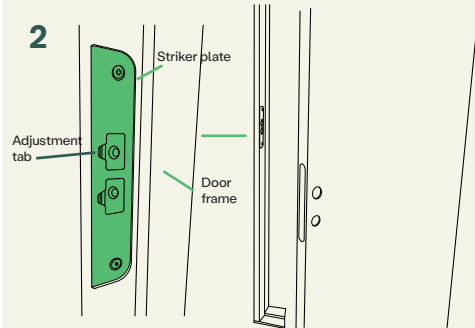


1



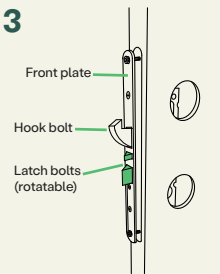
Review the contents of the box and find the emergency keys. Make sure you **always** have the emergency keys available during installation.

2



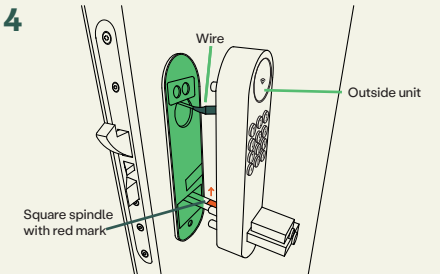
Mount the **striker plate** in your door frame, using the existing screws. If needed, you may readjust the adjustment tabs **after** the installation.

3



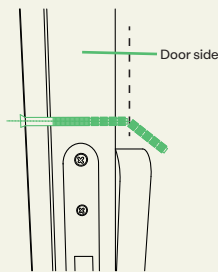
Verify that the **latch bolts** are set in the correct direction with the inclined side towards the doorframe. If necessary, remove the front plate and rotate the latch bolts. Mount the mortise in your door, using the existing screws.

4



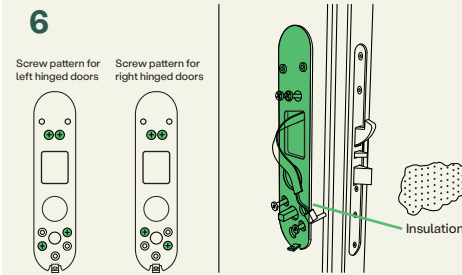
Place the **rubber seal** and the outside unit on the door. Make sure that the recessed area of the gasket is mounted towards the back of the lock. The red mark on the square spindle **must point up**. Pass the wire through the top.

5



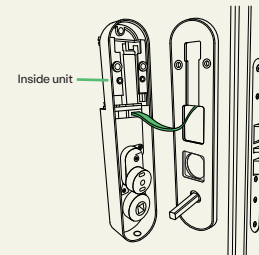
Adjust the **cuttable screws** so that they correspond to the thickness of the door and **add** an extra threaded portion. Use powerful pliers to cut to the desired length. The length should be equal on all screws. Cut further if necessary.

6



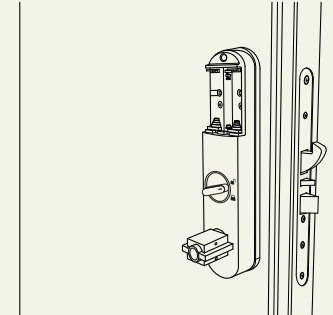
Locate the screw holes from the inside. Place the supplied insulation in both door holes. Mount the **inside bracket** with the cuttable screws. Tighten carefully. **Two screws at the top and two at the bottom.**

7



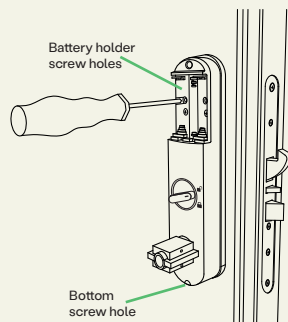
Place the rubber seal on the inner bracket and connect the  **cable**  to the inside unit. Make sure that the seal covers the entire bracket.  
**Optional: Did you purchase nimity Connect Module?** Install the module before proceeding.

8



Insert the excess cord into the door to prevent it from getting caught. Slide the inside unit into place.

9



Fit the inside of the lock by fastening both the screws in the battery holder and the one at the bottom. Install all batteries and the battery cover.

10



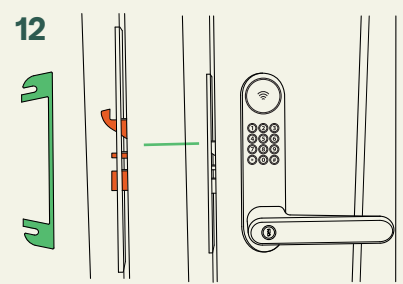
Mount both handles. **The exterior door handle** has a hole for the key cylinder. Place the handles in the desired direction and use the supplied tool to fasten the screws.

11



Make sure the lock works with your **emergency keys** before closing the door. **Remove** the key and store one or more of these safely outside your home. Test the lock electronically with factory code 123 #.

12



Close the door and verify that the **hook bolt** extends upon closure. If the gap between the door frame and door becomes too large, you can use the included **spacer** behind the strike plate.

# Programming Guide **Code**

**ADVICE!**  
WRITE DOWN WHICH USER IS  
ALLOCATED TO WHAT USER SLOT

## 1

Did you purchase **Connect Module & Gateway**?

Install the module according to its own instructions and carry out the programming by using the application.

Otherwise, continue with the next step.

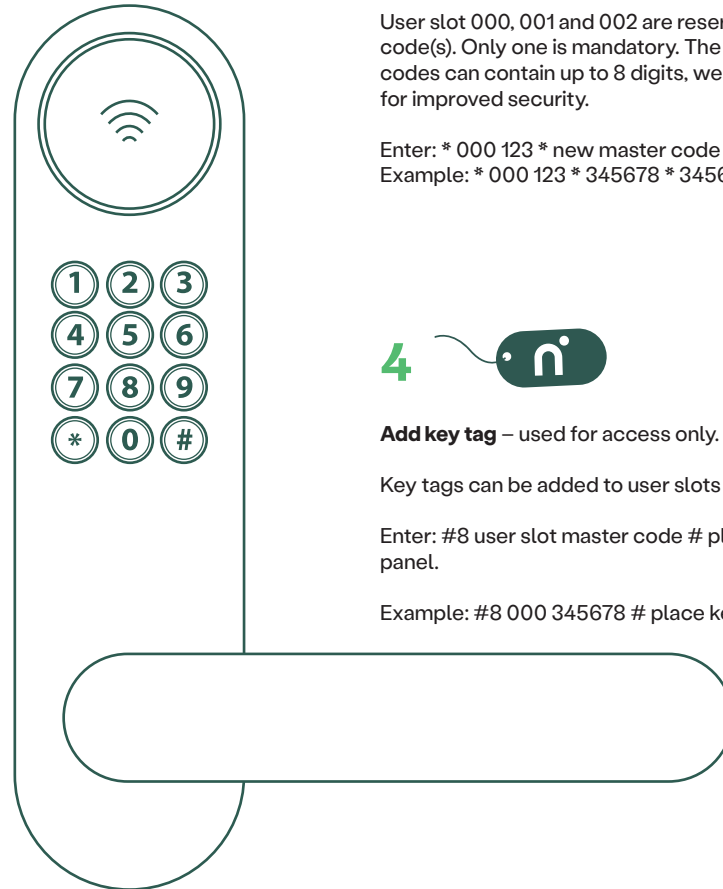
## 3 \* \* \* \*

**Create user code** – used for access only.

User codes can be added to user slots from 003 to 999. All codes can contain up to 8 digits.

Enter: \* 003 master code \* new user code \* new user code\*

Example: \* 003 345678 \* 2323 \* 2323 \*



## 2 \* \* \* \* \* \*

**Create master code** – used for access and programming.

User slot 000, 001 and 002 are reserved for the master code(s). Only one is mandatory. The factory code is 123. All codes can contain up to 8 digits, we recommend at least 6 for improved security.

Enter: \* 000 123 \* new master code \* new master code \*  
Example: \* 000 123 \* 345678 \* 345678.

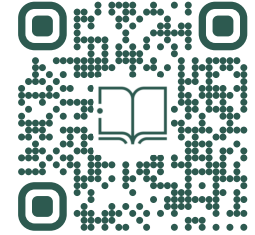
## 4

**Add key tag** – used for access only.

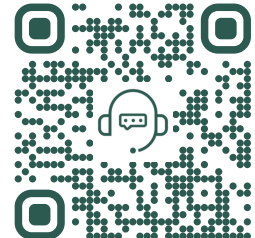
Key tags can be added to user slots 000 to 999.

Enter: #8 user slot master code # place key tag on the panel.

Example: #8 000 345678 # place key tag on the panel.



**Want more detailed information?**  
Scan for our advanced manual



**Do you need assistance?**  
Scan to get in touch with  
customer support

